

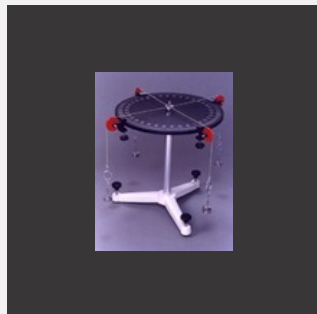


+91-8588811580

# Swarg systems & instruments

[www.indiamart.com/swargsysteminstruments](http://www.indiamart.com/swargsysteminstruments)

We are engaged in manufacturing, trading and exporting a wide range of I. C. engine lab, heat transfer lab, refrigeration and kinematics of machinery, etc. Our products are made using sound techniques as per the industry norms at our vendor's end.



## Profile

Incorporated in the year **2005**, at **Gandhinagar (Gujarat, India)**, we, "**Swarg System & Instruments**", are bestowed in **Manufacturing, Trading, Exporting and Supplying** a comprehensive assortment of **I. C. Engine Lab, Heat Transfer Lab, Refrigeration Lab, Dynamics & Kinematics of Machinery**, etc. Our exclusive range also includes **Heat Engine Thermodynamics Lab, Fluid Mechanics & Hydraulic Machines, Fluid Power Lab, Steam Lab, Measurement Lab, Stress Analysis Lab, Automatic Process Control Lab, Metrology & Quality Control Lab, Metallurgy Lab, Fuel & Lubricants Lab**, etc. These products are manufactured using supreme quality raw material and the most advanced techniques by our prestigious vendors in order to match the global quality standards. Further, the offered range is tested on various parameters by their experienced quality control team. Our range has gained immense applauds by our clients due to their incomparable features like optimum performance, high efficiency, enhanced durability and cost-effectiveness. Clients can avail the offered range from us at market leading prices.

We are fostering with an authentic vendor base, which allow us to offer our esteemed clients quality assured range of products. Our vendors have been selected on the basis of their market standing, industry experience, financial solidity and client's response. We are ensured by our vendors that these products are thoroughly tested on various parameters using latest testing devices and tools. Our vendors are backed by highly skilled professionals that are dedicated to manufacture these supreme quality products in order to meet our clients' requirement in the best possible manner. Their machinery installed in the manufacturing base is upgraded on a regular basis in order to maintain the highest production rate.



# HEAT TRANSFER LAB



Heat Transfer In Natural Convection



Heat Transfer Through Composite Wall



Lagged Pipe Apparatus



Heat Pipe Apparatus

# REFRIGERATION LAB



Air Cooler Test Rig



Vapour Absorption Refrigeration Test Rig



Computerised Vapour Compression Refrigeration Test Rig



Refrigeration Test Rig

# FLUID MECHANICS & HYDRAULIC MACHINES



Pelton Wheel Turbine Test Rig



Venturimeter & Orificemeter Test Rig

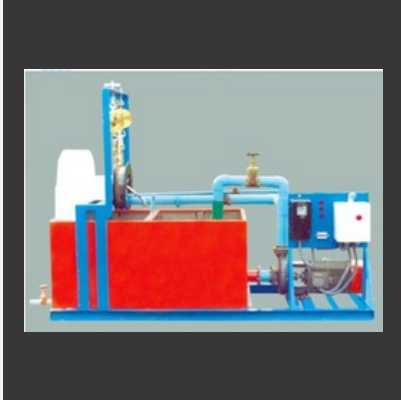


Rotameter Test Rig



Pitot Tube Apparatus

# FLUID POWER LAB



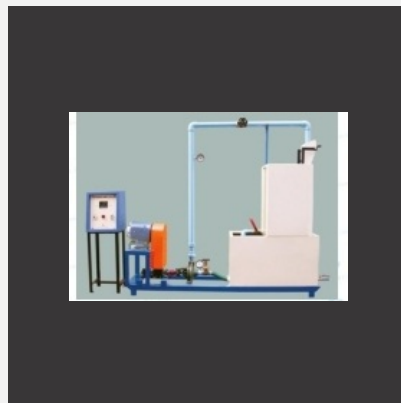
Pelton Wheel Turbine Test Rig



Centrifugal Pump Test Rig



Centrifugal Pump Test Rig (variable Speed)



Centrifugal Pump Test Rig (with Three Prefixed Speeds)

# METROLOGY & QUALITY CONTROL LAB



Deadweight Vacuum Gauge Tester



Thread Plug Gauges



Sine Center



Vernier Height Gauge

## METALLURGY LAB



Grinding Machine



Muffle Furnace



Magnetic Crack Detector



# NON CONVENTIONAL ENERGY SOURCES



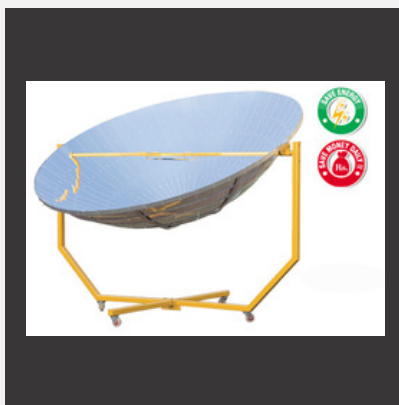
Solar Dryer



Solar Lantern



Precision Pyranometer



Solar Parabolic Disc Cooker

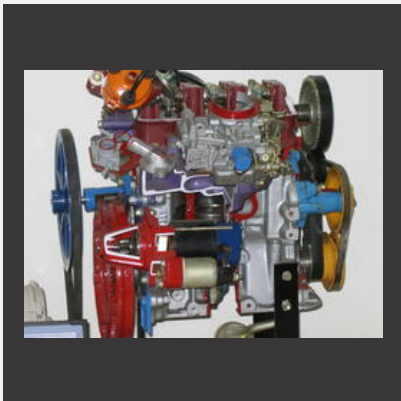
# AUTOMOBILE ENGINEERING LAB



Actual Cut Model Of Diesel Engine



Actual Cut Model Of Gear Box



Actual Cut Model of Petrol Engine



Actual Cut Model of Scooter Engine

# MEASURING & TESTING INSTRUMENTS



Granite Surface Plates



Cast Iron Surface Plates



Granite Lapping Plates



Cast Iron Bench Center

# ELCOMETER INSTRUMENTS



Wet Film Combs WFT Gauge



Digital Coating Thickness Gauge ElcoTest



Impact Tester



Elcometer 456 Coating Thickness Gauge Inbuilt Probe

# MICROMETERS, VERNIER CALIPER, SLIP GAUGE BLOCK SET - MITTU TOYO & OTHERS



Mitutoyo Japan  
Micrometers



Mitutoyo Blade  
Micrometers

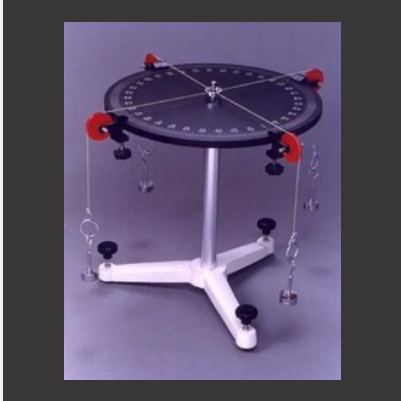


Coolant Proof Micrometer  
Series 293



Dial Snap Meters - Series  
523

## OTHER PRODUCTS:



Universal Force Table



Four Stroke Water Cooled Diesel Engine Test Rig



Single Cylinder Four Stroke Diesel Engine Test Rig

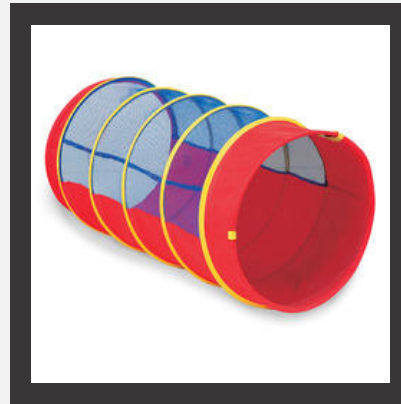


Centrifugal Air Compressor Test Rig

**OTHER PRODUCTS:**



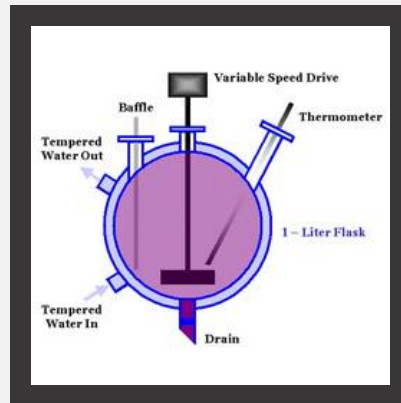
Two Stage Reciprocating Air Compressor Test Rig



Wind Tunnel (600 x 600 mm)



Wind Tunnel (450 x 450 mm)

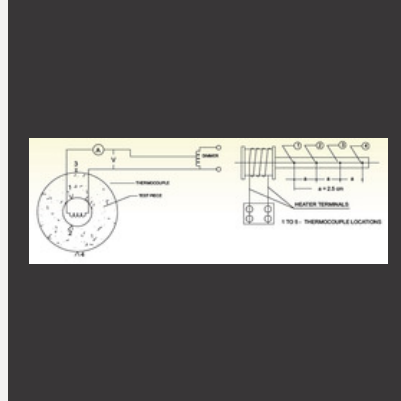


Liquid-Liquid Equilibrium

## OTHER PRODUCTS:



Critical Radius of Insulating Material



Heat Conduction Apparatus



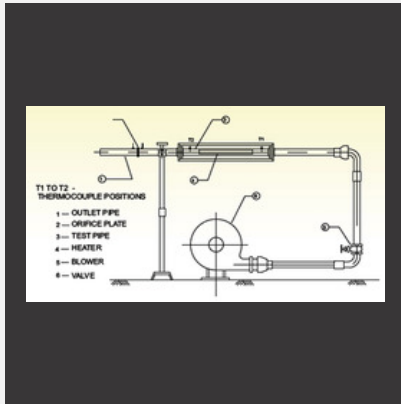
Heat Transfer From Pin - Fin Apparatus



Heat Transfer Through Forced Convection



**OTHER PRODUCTS:**



Specific Heat of Air Apparatus



Unsteady State of Heat Transfer



Emissivity Measurement Apparatus



Stefan Boltzman Apparatus

## OTHER PRODUCTS:



Dropwise and Filmwise  
Condensation Apparatus



Two Phase Heat Transfer  
Unit



Thermal Conductivity of  
Insulating Powder



Thermal Conduction of  
Liquid by Guarded Hot  
Plate Method



## CONTACT US

### **Swarg systems & instruments**

Contact Person: Nirav Patel

L/906/28, G.I.D.C., Opp. Radhika Motors, Sector-28  
Gandhinagar - 382028, Gujarat, India



+91-8588811580



[www.indiamart.com/swargsysteminstruments](http://www.indiamart.com/swargsysteminstruments)